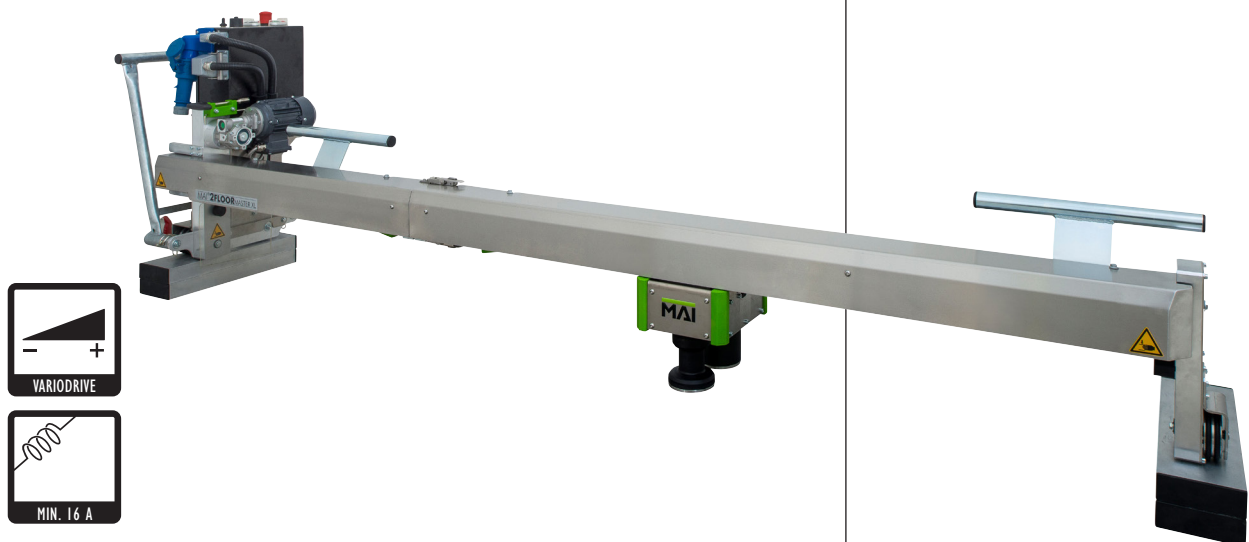


MAI[®] 2FLOORMASTER XL



THE INDIVIDUAL IS OUR MAIN CONCERN

A CLASS BY ITSELF

MAI® 2FLOORMASTER XL

NEVER GETS TIRED

With the aid of the MAI®2FLOOR MASTER XL peeling off even large screed areas will be a pleasure. Strenuous physical effort isn't required for highly efficient leveling, calendaring and compression of substrates. Surface roughness can be smoothed with previously unknown precision, which is not possible with any other technology.

YOU'LL BENEFIT BECAUSE:

The automatic operation guarantees constantly high quality.

- Efficient, nearly effortless operation
- No more exhausting manual peeling in a kneeling position
- Constant production capacity of up to 110 m²/hour
- High mobility thanks to the low weight

WHERE YOU CAN USE IT

The MAI®2FLOOR MASTER XL is especially well-suited for medium-sized to large jobs. The extreme easy handling helps optimize time and money, even with large areas.

Even processing two-component materials and concrete is possible with the MAI®2FLOOR MASTER XL.

PERFECT FOR THE FOLLOWING

SCREED TYPES

- Cement screed
- Anhydride screed
- Light concrete screed
- Compound screed
- Insulation screed

TECHNICAL DATA

Operating voltage:	230V/1/N/PE/50Hz 110V/1/N/PE/50Hz
Nominal power:	0,34 kW
Standard working widths:	250, 300, 350 and 400 cm
Option working widths:	150 cm, 200 cm
Production capacity:	ca. 110 m ² /h
Total weight:	60 kg - 98 kg



MAI® International GmbH, Werkstraße 17, 9710 Feistritz/Drau
Austria, Europe, E-mail: mai@mai.at, Internet: www.mai.at
Tel. +43 4245/6233 0, Fax +43 4245/6233 10

© Copyright: MAI® and MAI-PUMP® are registered trademarks of MAI® International GmbH.
MAI® International GmbH reserves the right to alter its machine specifications and descriptions
at any time without prior notice. © MAI® International GmbH, 2020, EN07

MAI
INTERNATIONAL®