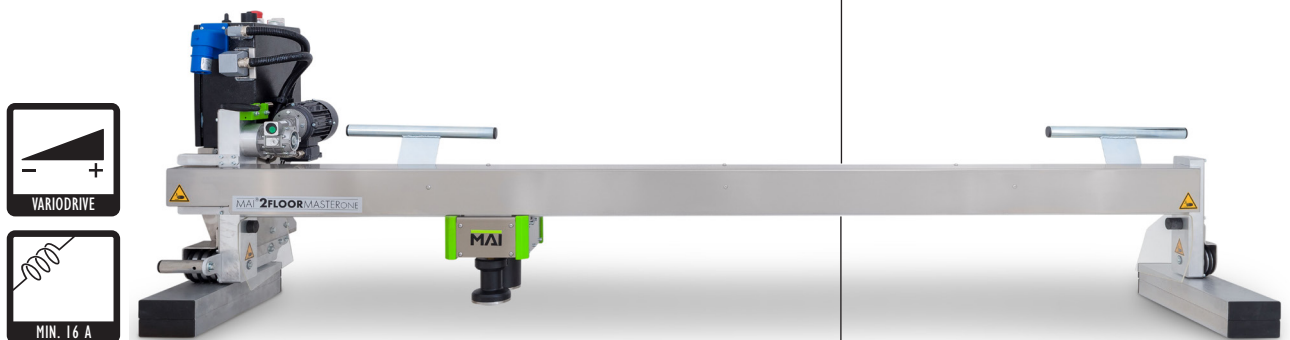


MAI[®] 2FLOORMASTER ONE



THE INDIVIDUAL IS OUR MAIN CONCERN

PROMPT ASSEMBLY

MAI[®]2FLOORMASTER ONE

BEST QUALITY AT FAIR PRICES

With the MAI[®]2FLOOR MASTER ONE stripping huge surface areas becomes a pleasure. The base can be optimally flattened, smoothed and compacted without much physical exertion. Surface level unevenness and irregularities are evened out with unequalled precision, which is not possible with any other processing technology.

QUICK SURFACE MATURITY

The unique technological functionality of the MAI[®]2FLOOR MASTER ONE enables high assembly performance at constant top quality production.

- Gentle on the health, fatigue-proof and efficient functionality
- No more exhaustion, manual stripping while in a kneeling position
- Consistent Production performance of up to 80 m²/Hour
- High mobility due to low weight

APPLICATION AREAS

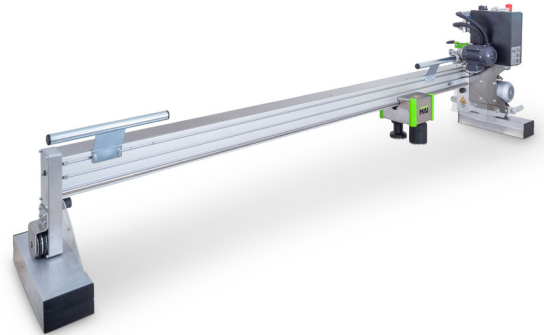
The MAI[®]2FLOOR MASTER ONE is optimally suitable for middle to large floorage. Due to its easy handling even large areas can be processed efficiently and cost effectively. Even the processing of two-component materials and hardened concrete is possible with the MAI[®]2FLOOR MASTER ONE.

SUITABLE FOR THE FOLLOWING TYPES OF CONCRETE

- Earth moist materials
- Lightweight concrete screed
 - Insulation flooring
 - Bonded screeds
 - Cement screeds

TECHNICAL DATA

Operating voltage:	230V/1/N/PE/50Hz 110V/1/N/PE/50Hz
Nominal power:	0,34 kW
Width:	250 cm
Product performance:	ca. 80 m ² /hour
Total weight:	75 kg



MAI[®] International GmbH, Werkstraße 17, 9710 Feistritz/Drau
Austria, Europe, E-mail: mai@mai.at, Internet: www.mai.at
Tel. +43 4245/6233 0, Fax +43 4245/6233 10

MAI[®] und MAI-PUMP[®] are registered trademarks of MAI[®] International GmbH.
Errors, omissions and printing mistakes excepted. © MAI[®] International GmbH, 2020 EN07

MAI
INTERNATIONAL[®]